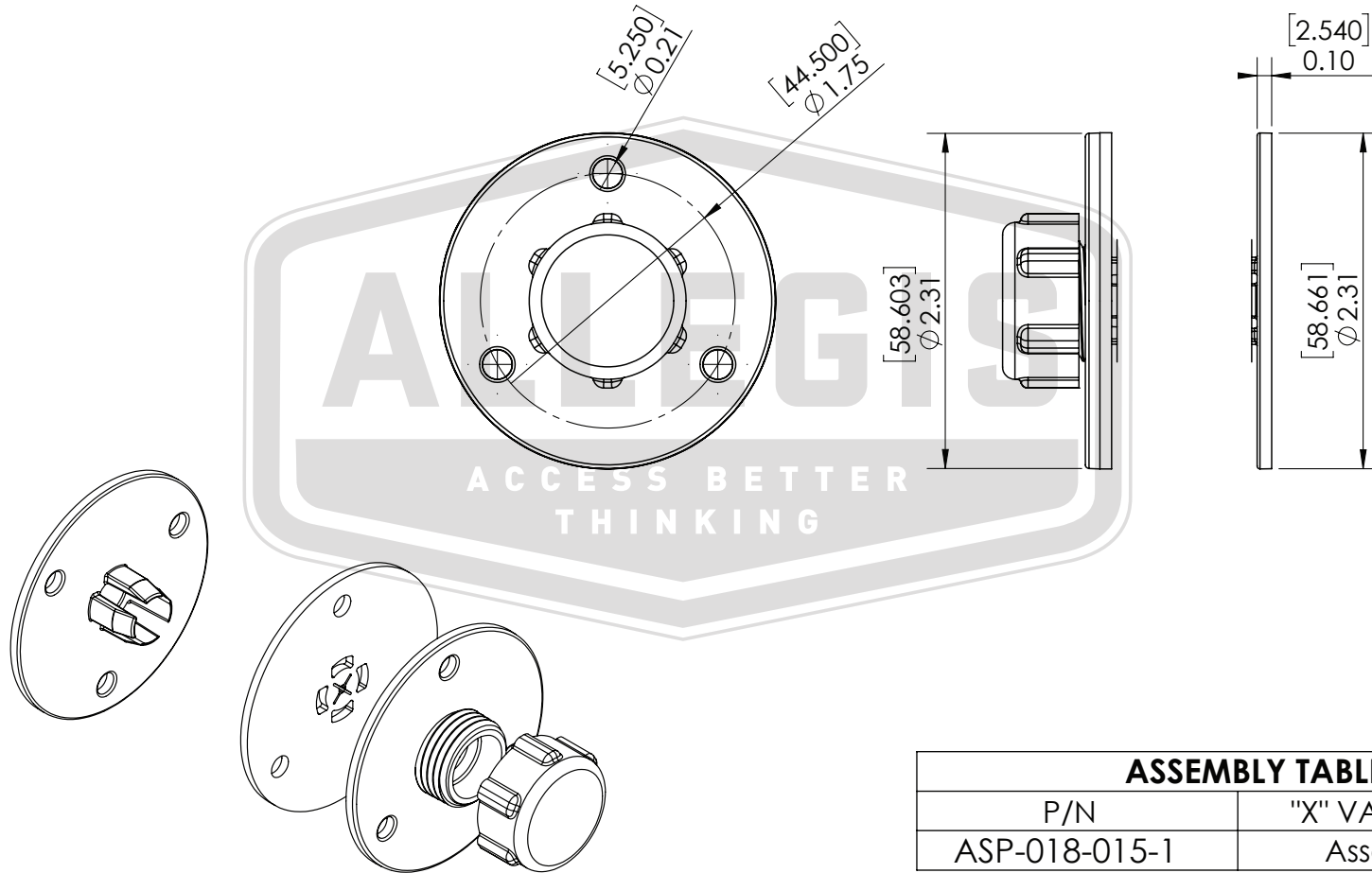


NOTES:

- THREADS FOR CAP AND BASE PLATE ARE 1/2in NPT



ASSEMBLY TABLE	
P/N	"X" VALUE (in)
ASP-018-015-1	Assembly

\* NO TUBE included

<p><b>www.allegiscorp.com</b>  <b>1-866-378-7550</b></p>		<p>MATERIAL / FINISH :                  PA6 GF 30 w/ Gasket</p>	
<p>REV. :                  1:1</p>	<p>DATE :                  2-12-2019</p>	<p>DESCRIPTION :                  HVAC TEST PORT                  - Base Plate</p>	<p>DRAWING NO. :                  ASP-018-015-1</p>